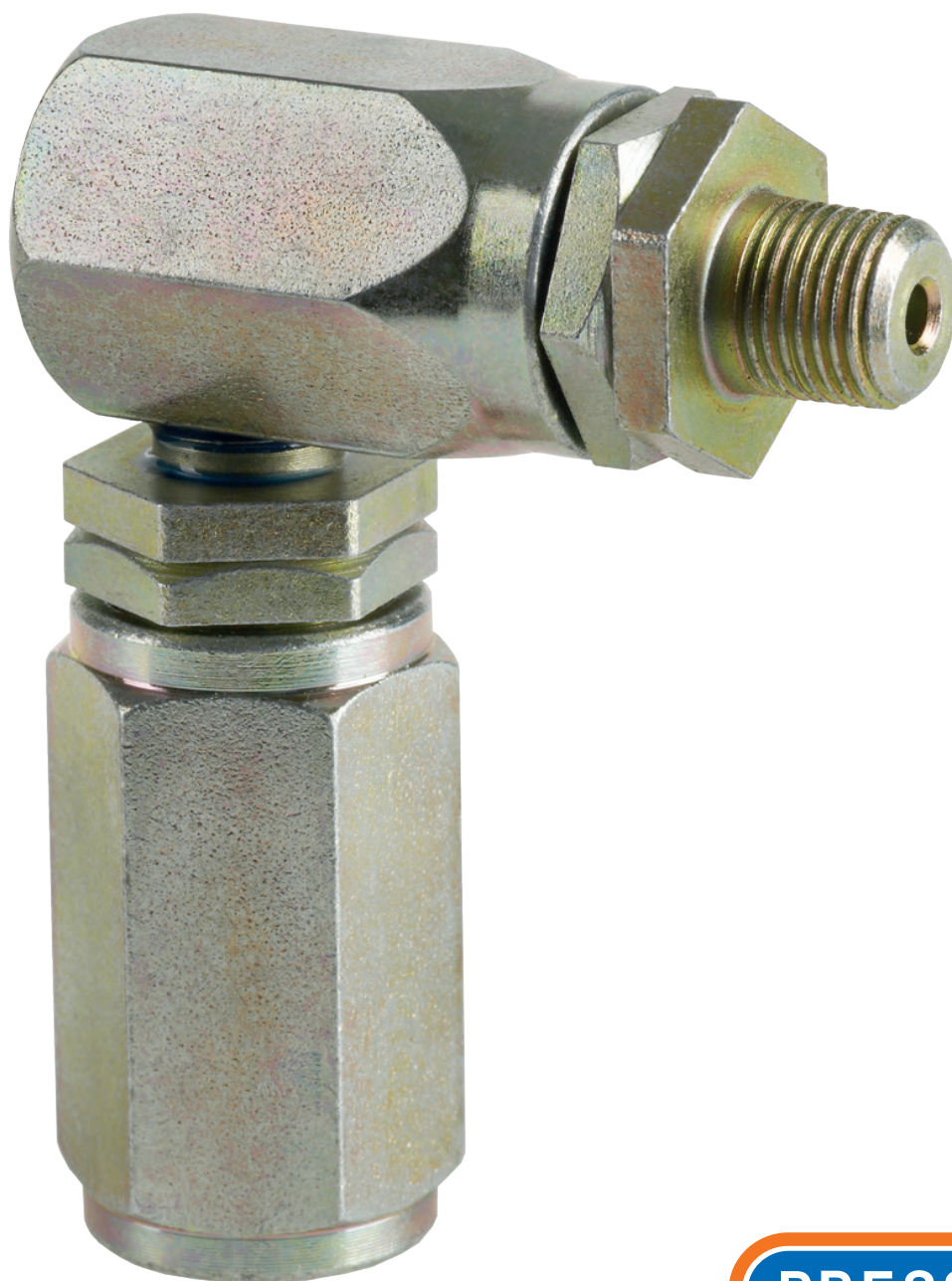


Operating Instructions

Swivel Connectors Grease Supply Systems

360° Z-swivel connector • 90° swivel connector • straight swivel connector



Pressol Schmiergeräte GmbH

This documentation is exclusively intended for the operating company and their staff.

Without our written consent, the content of this documentation (textes, figures, drawings, charts, diagrams etc.), must not be duplicated or distributed, neither in full or in part, utilized for the purpose of competition or passed on/made available to third parties.

Pressol Schmiergeräte GmbH

Parkstraße 7

93167 Falkenstein | Germany

Phone: +49 9462 17-0

Fax: +49 9462 17-208

info@pressol.com

www.pressol.com

Operating instructions translation

Date of issue: 05/2016

We reserve the right to make design and product modifications, which serve to improve the product.

Table of Contents

1.	Introduction	3
1.1	Preface	3
1.2	Obligations of the personnel	3
1.3	Symbols in this manual	3
1.3.1	Structure of the warning notes	3
1.3.2	General symbols	3
2.	Safety notes	4
2.1	Authorized personnel	4
2.2	Intended conditions of use	4
3.	Design and functional description	4
3.1	Area of application	5
3.2	Technical data	5
3.3	Hazards when handling the swivel connectors	5
4.	Assembly	5
4.1	Replacement parts list	6
5.	Maintenance	6
6.	Repair/Service	6

1. Introduction

1.1 Preface

Please carefully read these operating instructions and observe in particular all safety notes!

Our staff will be pleased to provide support if you have any questions about the product.

Yours sincerely, Pressol Schmiergeräte GmbH

1.2 Obligations of the personnel

Before they start to work, all persons who are entrusted with work with high pressure grease supply systems, are obliged:

- to follow all applicable regulations on occupational safety and accident prevention.
- to read and to comply with all safety instructions and warning notes contained in these operating instructions.

Please observe the following instructions in the interest of all concerned:

- Refrain from any unsafe working methods!
- Adhere to all hazard and warning notes contained in this manual!
- In addition to this documentation, keep to all generally accepted safety rules, legal provisions as well as all other binding rules regarding occupational safety, accident prevention and environmental protection!
- Wear appropriate protective clothing in accordance with the work to be done!
- Perform only work for which you have been sufficiently trained and instructed!
- Only genuine spare parts as well as original tools and auxiliaries of the manufacturer are allowed to be used in order to ensure the functional safety and maintain the warranty coverage.

1.3 Symbols in this manual

1.3.1 Structure of the warning notes

The warning notes have the following structure:



SIGNAL WORD

Type and source of the hazard

- Consequences of non-compliance with the notes
- Measures to avoid that risk

Depending on the danger level, different signal words are used

Signal word	Danger level	Consequences of non-compliance
CAUTION	Possibly dangerous situation	Minor bodily injury
ATTENTION	Possibly dangerous situation	Damage to material property

1.3.2 General symbols

Symbol	Meaning
■	A small black square indicates the work you have to perform
–	The dash denotes lists

2. Safety instructions

Various dangers may occur if the swivel connectors are improperly handled during installation, commissioning and daily operation.



WARNING

Risk of injury and damage to material property because of improper handling

Hold the manual at the disposal of the operating staff at the usage site of the unit. Country-specific safety measures and accident prevention regulations must be observed.

2.1 Authorized personnel

Only qualified and authorized persons are allowed to operate and to work with high pressure grease supply systems.

Persons are qualified if they are, due to their training, experience, instruction and knowledge of the relevant standards, able to assess assigned tasks and to identify potentially hazardous situations.

All persons charged with installation, operation, maintenance and repair work, must have read and understood this operation manual.

2.2 Intended use

The swivels are designed for use in conjunction with high pressure grease supply systems, only.

Any use beyond these parameters can lead to serious risks and is regarded as use that is contrary to the intended purpose.

The operator is liable for any damage arising out of use that is not intended purpose.

3. Design and functional description

The swivels are constructed as rotating connectors for use in conjunction with high pressure grease supply systems.

Following versions are available:

Art. no.	Swivel connector	Connection
18 080	1 x 360°	G 1/8" male-G 1/8" female
18 080 950	1 x 360°	M 10 x 1 male-M 10 x 1 female
18 081	1 x 360°	G 1/8" male-G 1/4" female
18 082	3 x 360°	G 1/8" male-G 1/4" female
18 082 952	3 x 360°	G 1/4" male-G 1/4" male
18 083	2 x 360°	G 1/8" male-G 1/4" female
18 084	1 x 360°	G 1/4" male-G 1/4" female

All steel parts are galvanized. Highly stressed swivel parts are made of hardened steel. Gaskets are made of polyamide or polyurethane.

3.1 Area of application

The swivels are constructed for high pressure grease supply systems. They provide a rotating connection operating until a max. operating pressure of 400 bar as well as at lower pressures without any restriction.

Example for operation:

Connection of a high pressure grease supply hose with a high pressure grease control gun.
All swivels can be operated with any standard grease available.

3.2 Technical data

Art. no.	Fluid	Operating pressure	Connection 1	Connection 2
18 080	grease	400 bar	G 1/8" male	G 1/8" female
18 080 950	grease	400 bar	M 10 x 1 male	M 10 x 1 female
18 081	grease	400 bar	G 1/8" male	G 1/4" female
18 082	grease	400 bar	G 1/8" male	G 1/4" female
18 082 952	grease	400 bar	G 1/4" male	G 1/4" male
18 083	grease	400 bar	G 1/8" male	G 1/4" female
18 084	grease	400 bar	G 1/4" male	G 1/4" female

3.3 Hazards when handling the swivel connectors



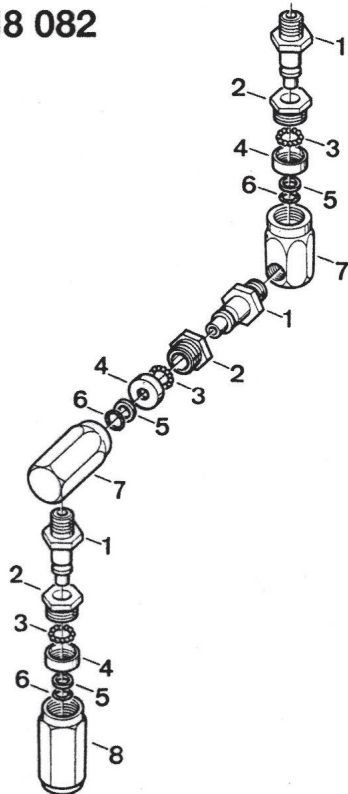
Caution

- Make sure that the max. operating pressure of 400 bar of the grease supply system will not be exceeded.
- Bursting swivel connectors will cause personal injuries.
- Please pay attention to local safety regulations whilst working.

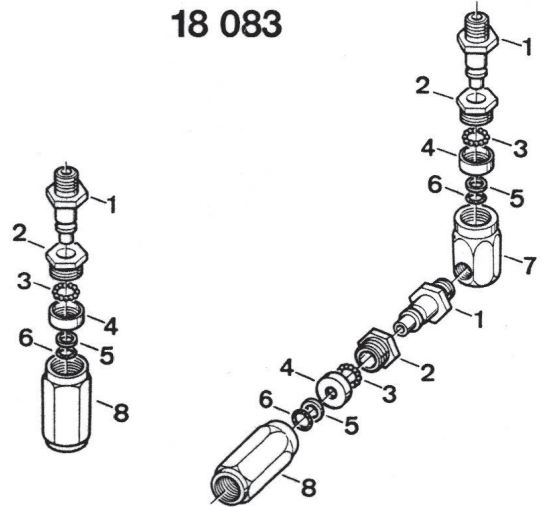
4. Assembly

- When assembling the swivel connectors, check to ensure that the thread connections are correctly matched.
- Use appropriate sealants (e.g. Teflon tape) and tools for assembling.
- Before first use, check the tightness of the thread connections carefully.

18 082



18 083

18 081
18 084

4.1 Replacement parts list

Pos.	Art. no.	Description	Pos.	Art.-Nr.	Description
1	03 330	Bearing connector	5	03 413	Washer, polyamide
	87 665	dto. for art.no. 18 084			
2	03 334	Hexagonal nut	6	00 517	O-ring
3	02 861	Steel ball	7	03 332	90° angle
4	03 331	Split bearing	8	03 335	Socket

5. Maintenance

The swivel connectors do not require maintenance at all.

Due to the operator's duties pipe connections, hoses and accessories shall be regularly checked according to local safety requirements to avoid environmental damages caused by leaking grease.

6. Repair/Service

The swivel connectors have been developed and manufactured according to the highest quality standards.

If in spite of all quality measures a problem occurs, please get in touch with our service contact partners:

PRESSOL Schmiergeräte GmbH

Phone: +49 9462 17-216

Fax: +49 9462 1063

service@pressol.com

Pressol Schmiergeräte GmbH

Parkstraße 7

93167 Falkenstein | Germany

Tel. +49 9462 17-0

Fax +49 9462 17-208

info@pressol.com

www.pressol.com

