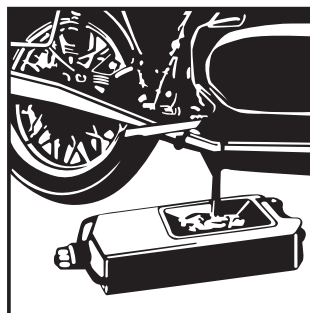
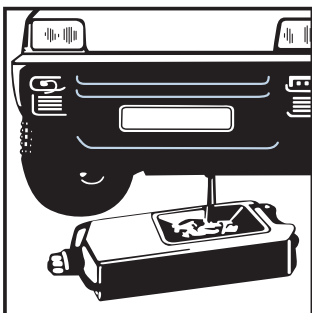
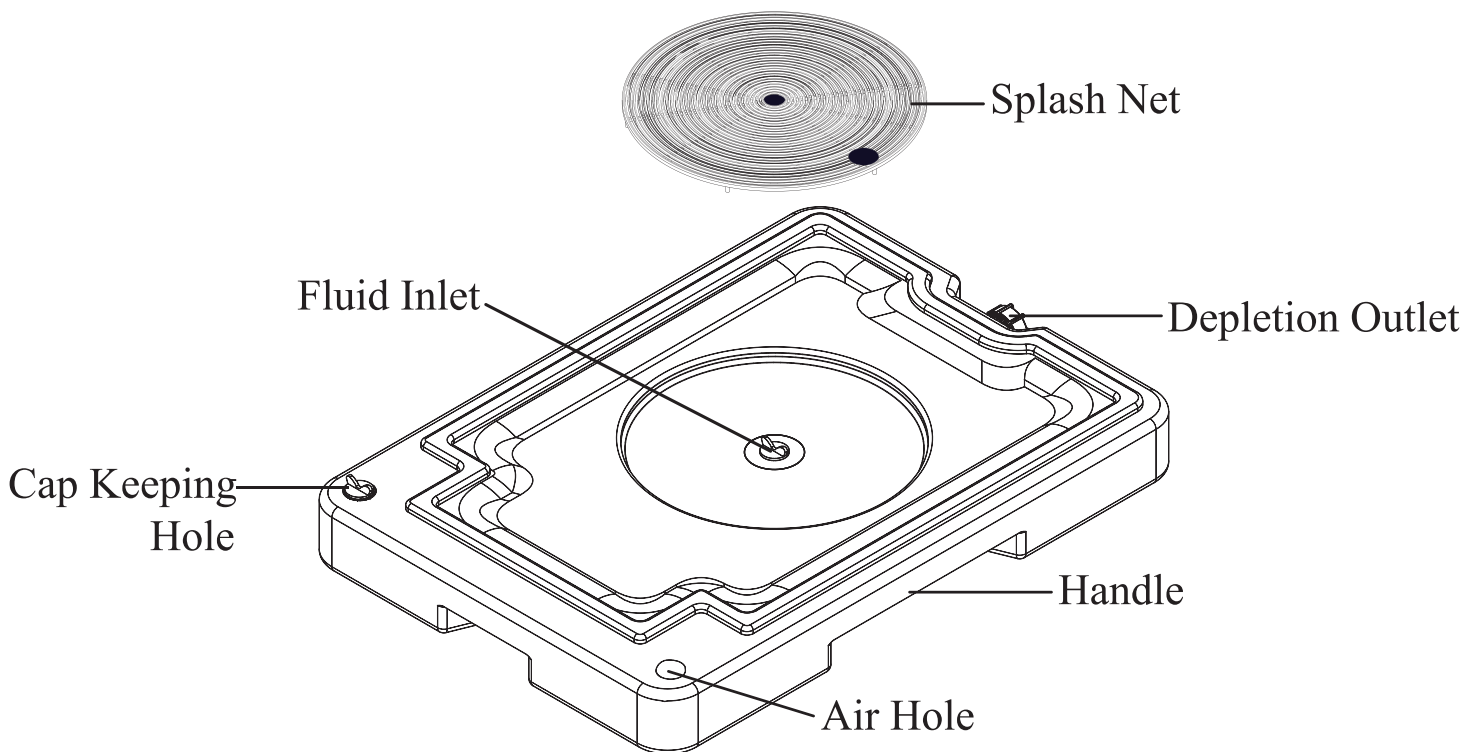


# ● Low Profile Fluid Receiver ●

## WH-8560

### Operation Instruction

1. Open the fluid inlet cap under the splash net. Put the net back.
2. Open the cap in the air hole and screw the cap onto the keeping hole.
3. Put the receiver under the vehicle in position. It's ready to receive the fluid.
4. After the operation, open the depletion outlet and pours out the waste fluid.



Model	WH-8560
Weight	5.6 Kg
Dimension	850x600x120 mm
Capacity	30 L
Material	PE