



Operation & Safety Manual

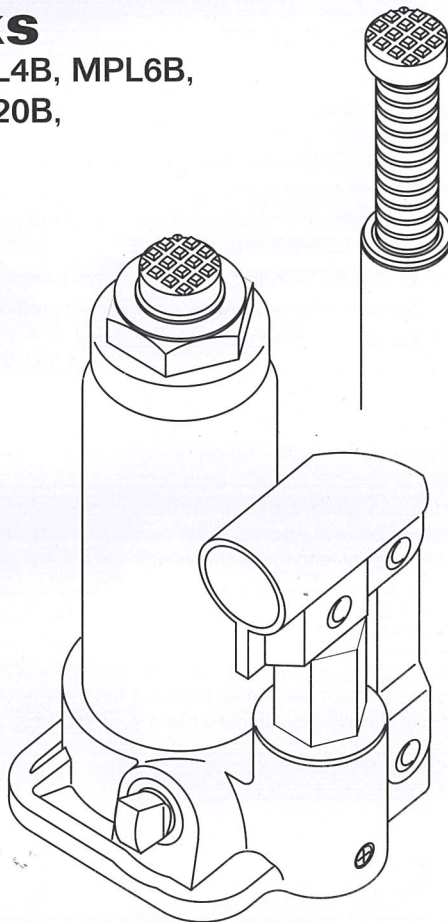
Bottle Jacks

Model No. MPL2B, MPL4B, MPL6B,
MPL8B, **MPL12B**, MPL20B,



WARNING
WEAR SAFETY GOGGLES
USERS AND BYSTANDERS

Meets 2009 ANSI
standard requirements



CAUTION: Read, understand and follow all Safety Rules and Operating Instructions in this manual before using this product.

- **Safety**
- **Features**
- **Warranty**
- **Maintenance**

OPERATING INSTRUCTIONS

HOW IT WORKS

- The jack power unit consists of plunger, plunger cavity, hydraulic oil reservoir, cylinder and ram.
- An upward stroke of the jack handle draws oil from the reservoir into the plunger cavity. Hydraulic pressure closes a valve that keeps oil in the cavity.
- A downward stroke of the jack handle forces oil into the cylinder, pushing out the ram and raising the saddle. **NOTE:** As a protective feature, when the ram reaches maximum extension, sufficient oil passes back into the reservoir to prevent an overextended ram stroke and possible jack damage.
- When the release valve is open, oil flows back into the reservoir, causing the ram to retract, lowering the saddle.

It is the owner and/or operators responsibility to study all warnings, operating and maintenance instructions found on the product sticker and instruction manual before using this unit. The owner/operators shall retain product instructions for future reference.

TO RAISE AND LOWER THE VEHICLE

1. Place vehicle in PARK (in gear on standard transmissions) and apply emergency brake.
2. Close the jack release valve by turning the handle clockwise.
3. Block the vehicle wheels for lifting stability
4. Center jack under load so that saddle contacts load firmly and will not slip. (Refer to vehicle manufacturer's owner's manual to locate the approved lifting points on the vehicle.)
5. Pump the jack handle until saddle nears contact with vehicle.
Check to see that the saddle is centered and will contact the lifting point firmly.
6. Continue to pump the jack handle to lift the vehicle to a height slightly above the jack stands or other supports. Then turn the handle very slowly counterclockwise to open the release valve to lower the vehicle onto the supports.

WARNING:

To avoid pinching or crushing hands or feet, **ALWAYS** keep them clear of the jack hinge and ground contact area when lowering the vehicle. The jack is a lifting device only. **DO NOT** move or dolly the vehicle while it is on the jack.

INSPECTION

The product shall be maintained according to these instructions. You may not alter this product in any way.

1. Before using, a thorough inspection shall be made on the jack. Look for leaking hydraulic fluid, cracks in the welds, bent, damaged, loose, worn or missing parts.
2. Inspect according to this manual ONLY.
3. If the jack has been subjected to abnormal load or shock (abuse), perform an immediate inspection. Take the product to a local customer service representative for an authorized inspection before use.

MAINTENANCE

Monthly maintenance is recommended. Lubrication is critical to jacks as they support heavy loads. Any restriction due to dirt, rust, etc., can cause either slow movement or cause extremely rapid jerks, damaging the internal components. The following steps are designed to keep the jack well lubricated:

1. Lubricate the ram, linkages, saddle and pump mechanism with light oil. Grease wheel bearings and axles.
2. Visually inspect for cracked welds, bent, loose, missing parts or hydraulic oil leaks.
3. If jack is subjected to abnormal load or shock, remove from service and have it examined by a customer service representative prior to use.
4. Clean all surfaces and maintain all labels and warnings.
5. Check and maintain the ram oil level.
6. Check ram after each use for any sign of rust or corrosion. Clean as needed and wipe with an oil cloth. When not in use, always leave the saddle and ram all the way down.

Always store your jack in the fully lowered position. This will help protect critical areas from excessive corrosion.

Do not use brake or transmission fluids or regular motor oil as they can damage the seals. Always purchase and use products labeled Hydraulic Jack Oil.

CHECKING OIL LEVEL

1. Release valve must be turned counterclockwise to allow the ram to fully retract. You may need to press down on the saddle to lower.
2. Remove the oil plug while in a level position. Stand jack vertically with handle socket down. Oil should be level with the bottom of the fill hole. Top off, but do NOT overfill, if needed. Always use new, clean hydraulic jack oil.
3. Replace the fill plug.
4. Check to see if jack works.
5. Begin purging air from system as required.

TROUBLESHOOTING

Problems	Possible Cause	Solutions
Jack will not lift to full height	Low oil level	Check oil level
Jack will not hold load	Release valve not closing Hydraulic jack oil contaminated Pump valves not sealing Cylinder ram binding	Call customer service
Lift arm will not lower	Cylinder ram binding Parts worn Internal damage Broken return spring or unhooked Lift arm linkage bent or binding	Call customer service
Jack feels spongy when lifting	See Air Purge section	See Air Purge procedure

PURGING SYSTEM AIR OR CHANGING OIL WHEN TROUBLESHOOTING

1. Turn release valve counterclockwise one complete turn to open.
2. Pump the handle eight full strokes.
3. Turn release valve clockwise to close the valve.
4. Pump handle until ram is at maximum height and continue to pump to remove any air trapped in the ram.
5. Slowly and carefully pinch oil fill plug to release trapped air.
6. Turn release valve clockwise to closed position and check for proper pump action. It may be required to perform the above more than once to assume air is removed completely.

SAFETY INSTRUCTIONS

SAVE THESE INSTRUCTIONS!

READ ALL INSTRUCTIONS!



WARNING:

- Study, understand and follow all instructions before operating this device prior to use.
- Do not overload this jack beyond the rated capacity.
- This jack is designed for use only on hard level surfaces capable of sustaining the load. Use on other than hard level surfaces can result in jack instability and possible loss of load.
- This is a lifting device only. Immediately after lifting, support thing vehicle with jack stands.
- Do not get under or allow anyone under the vehicle until it has been supported by jack stands.
- Do not move or dolly the vehicle while on the jack.
- Lift only on areas of the vehicle as specified by the vehicle manufacturer.
- Center load on saddle prior to lifting.
- Some vehicles require an adapter to properly engage the frame for lifting. Use vehicle manufacturers instructions on proper lifting.
- No alterations to the jack shall be made.

Because of the potential hazards associated with the misuse of equipment of this type, no alterations shall be made to the product without written authorization of the manufacturer or supplier.

- Do not use bottle jack in direct contact with food or food ingredients.
- Use of bottle jack on sea vessels is prohibited.
- Inspect jack prior to each use. Do not attempt use if the unit is broken, bent, cracked, or has missing and/or damaged parts. Replace broken, bent, cracked, missing and/or damaged parts, and/or missing labels, warnings and/or decals with factory authorized parts prior to use.
- Any jack that appears to be damaged or has worn parts should be removed from service immediately.
- For your safety and to prevent injury use service jack for lifting purposes only.
- Failure to heed these warnings may result in personal injury and/or property damage.

This jack is a lifting device only. It is not a support device. **NEVER** place yourself under or near a raised vehicle supported by a jack, immediately after lifting, support vehicle with jack stands or other appropriate means. **DO NOT** move or dolly the vehicle while it is on the jack.

WARRANTY

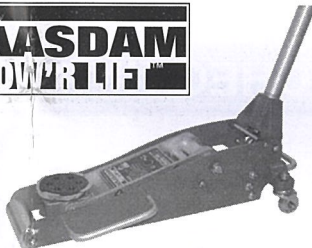
Maasdam Pow'R Lift™ (the "Manufacturer") proudly warrants these quality manufactured products only to be free from defects in workmanship and factory materials so long as the tool is used and maintained properly and in accordance with the Operations and Safety Manual and information which accompany and relate to the tool. Products made for Maasdam Pow'R Lift™ outside the USA are covered by other limited warranties as stated on the box for the particular product.

Manufacturer shall have the sole discretion to inspect and determine whether purchaser has used and maintained the tool properly for purposes of application of this warranty. The sole monetary limit and measure of damages of Manufacturer shall be the price of the defective unit, and Manufacturer shall have no liability or responsibility for consequential or any other kind of damage caused by the defective unit or any of its parts, including, but not limited to, loss of use, commercial loss or loss of business. This warranty is extended only to the first purchaser of this product and only if the product is used as intended by the Manufacturer.

To use this warranty, you may bring the defective unit to the store from which you purchased it, or you may return the tool to our factory at **415 East State Parkway, Schaumburg, IL 60173**, postage prepaid. Before returning the product to our factory, call the office using our toll free telephone number, **888-797-7855**, to identify the defect(s) of which you complain. Your return address should appear on the shipping container when transmitting any tools.

THIS WARRANTY IS IN PLACE AND IN LIEU OF ALL WARRANTIES OF MERCHANTABILITY AND FITNESS. By acceptance of the product, the purchaser and user agree to the terms hereof and incorporate the same in any contract for the purchase of this product.

Check out our other brands:



Maasdam Pow'R Lift™

415 East State Parkway, Schaumburg, IL 60173

Tel 888.797.7855 • Fax 847.228.6021

www.maasdam.com

©2013 Maasdam Pow'R Lift™