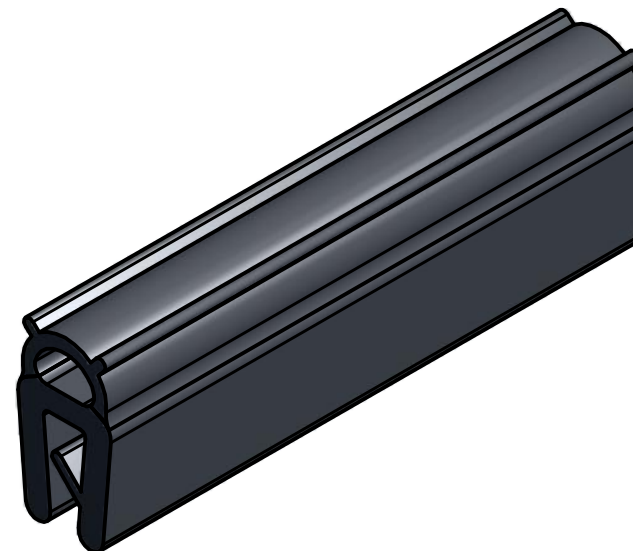
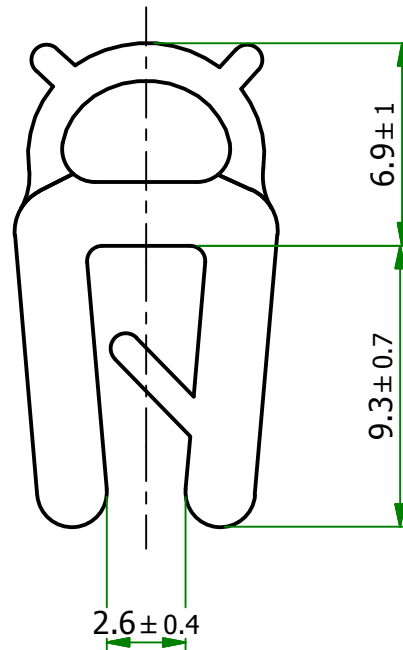


© 2011 Moss Plastic Parts Ltd. All rights reserved.  
 Registered in England, Company No. 547495.  
 Registered Office: Avebury House,  
 201-249 Avebury Boulevard, Milton Keynes, MK9 1AU

Condition of Sale can be found on our website:  
 mossexpress.com. Moss Express is a trading name of Moss  
 Plastic Parts Ltd.

Moss Plastic Parts Ltd does not warrant that the files will be  
 error free and may create new versions ("Upgrades") at any  
 time, which may correct such errors. Moss Plastic Parts Ltd  
 has no obligation to notify you of such upgrades. Any  
 upgraded file will be published to the website, when it  
 becomes available.

You are not permitted to load any of the files on to a network  
 server for the purposes of distribution to one or more other  
 computer(s) on that network or to effect such distribution.  
 Moss Plastic Parts Ltd shall not be liable for any loss or  
 damage whatsoever or however caused, arising directly or  
 indirectly from the use of the files.



UNLESS OTHERWISE STATED

ALL DIMENSIONS IN mm				DO NOT SCALE	
LINEAR TOLERANCE				THIRD ANGLE PROJECTION	
SIZE	(0)	(0.0)	(0.00)		
0-10mm	±0.5	±0.15	±0.10		
10-30mm	±0.5	±0.20	±0.15		
30-50mm	±0.5	±0.30	±0.20		
50-100mm	±0.8	±0.50	±0.25		
100-200mm	±1.5	±0.80	±0.40		
200-300mm	±2.0	±1.20	±0.80		
300-500mm	±3.0	±2.00	±1.00	ANGULAR TOLERANCE ±0.5 DEGREES UNSPECIFIED RADII 0.25mm DRAFT ANGLE 0.5 DEGREES	
+500mm	±5.0	±3.00	±1.50		

ORG.SCALE **4:1**

UNCONTROLLED

MATERIAL **EPDM**

ITEM No. **490743**

TITLE **DUAL MEDIUM TOP BUBBLE  
SEAL**

DWG.No. **490743**

ISSUE No. **1**